

Xtreme
in innovation

primus

laundry equipment

HIGH EFFICIENT SOFT MOUNTED WASHER EXTRACTORS

FX80 FX105 FX135



FEATURES

- Freestanding, high spin (up to 1165 RPM - FX80)
- Stainless steel top panel & Anthracite grey front and side panels
- Xcontrol - easy to use microprocessor
- Patented Soap Hopper
- Large drain valve (Ø 76 mm)
- Easy access to all vital parts from the front
- Large door opening for easy loading & unloading

OPTIONS

- Xcontrol Plus - Fully programmable
- Coin operated timer (CPS)
- USB plug (on the back panel)
- Stainless steel front panel
- Stainless steel side panels
- Easy Soap - liquid soaps connection
- Liquid soap pumps
- Drain Pump (FX 80)
- Water recovery kit
- Steam heating version



ERGONOMICAL
CONSTRUCTION



LARGE DOOR
OPENING



LOW WATER AND ENERGY
CONSUMPTION

cascade
drum

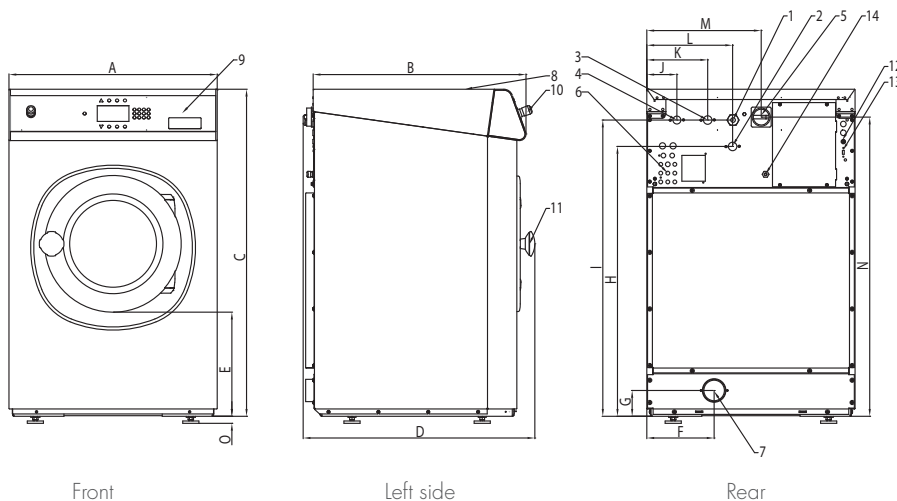


supereco

POWERWASH

TRACE-TECH

TYPE		FX80	FX105	FX135
INNERDRUM				
volume	litres	75	105	135
diameter	mm	530	620	620
DRUM SPEED				
wash	rpm	49	49	49
extraction	rpm	1165	1075	1075
G-FACTOR		400	400	400
HEATING				
electricity (standard)	kW	6 / 9	6 / 9 / 12	9 / 12
steam	bar	1 - 8	1 - 8	1 - 8
hot water	°C	90	90	90
WEIGHT, NET	kg	175	200	240
Sound pressure level	dB (A)	< 65	< 65	< 65
Water valves connection	BSP	3/4"	3/4"	3/4"
Water pressure	kPa	100-800	100-800	100-800
Rec. water pressure	kPa	300-500	300-500	300-500
Water inlet	l/min	20	20	20
Drain valve	outer Ø mm	76	76	76
Flow amount with drain valve	l/min	210	210	210
Steam valve connection	BSP	1/2"	1/2"	1/2"
Steam pressure	kPa	100-800	100-800	100-800



- 1 Electrical connection
- 2 Hot water
- 3 Cold water hard
- 4 Cold water soft
- 5 Main switch
- 6 Connection liquid soap
- 7 Drain
- 8 Soap dispenser
- 9 Control panel
- 10 Button CENTRALSTOP
- 11 Door opening, FX80: Ø 330; FX105, FX135: Ø 410
- 12 Fuses
- 13 USB port
- 14 Electrical connection to liquid soap pumps

DIMENSIONS

	A	B	C	D	E	F	G	H	I	J	K	L	M	N	O
FX80	710	726	1115	790	355	230	88	920	1010	103	208	293	390	1020	24
FX105	795	761	1225	792	342	230	88	1030	1120	103	208	379	475	1130	24
FX135	795	911	1225	942	342	230	88	1030	1120	103	208	379	475	1130	24
	width	depth	height												

		FX80
Water consumption	l/kg	7,2
Electricity consumption	kWh/kg	0,19

* Program No 11



The company Primus preserves the right to change the machines and the specification in this leaflet at any time, without prior notice. Details and photographs are only for information and never binding.

www.primuslaundry.com

